



## ASSEMBLY INSTRUCTION

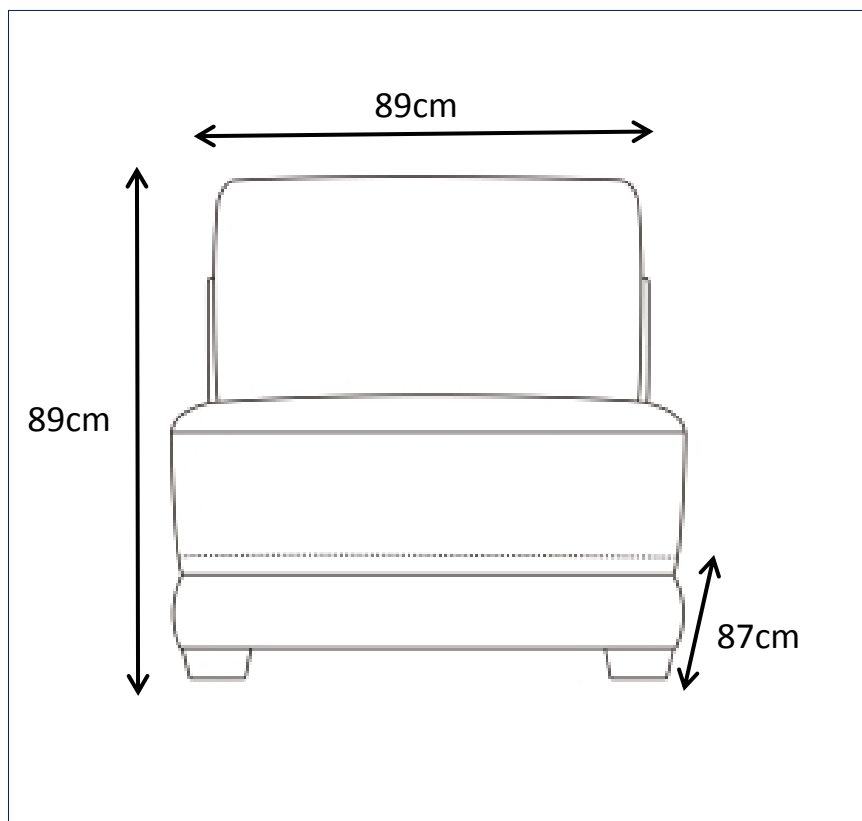
ELEANOR

ITEM CODE 58899

Imported by Amart Furniture Pty Ltd, Qld, Brisbane Australia.

For any assistance with assembly or for missing parts please phone

Amart Furniture Ewing Road, Customer Service Free call 1800 351 084



Imported by Amart Furniture Pty Ltd, Qld, Brisbane Australia.



For any assistance with assembly or for missing parts please phone

Amart Furniture Ewing Road, Customer Service Free call 1800 351 084

## PRE-ASSEMBLY PREPARATION

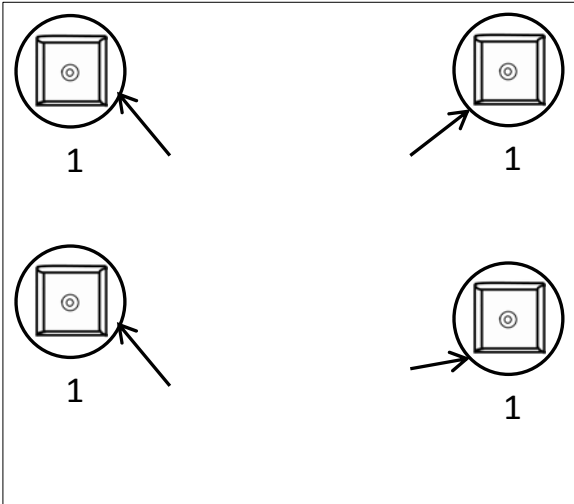
### Before you start:

1. Choose a clean, level, spacious assembly area. Avoid hard surfaces that may damage the product
2. Take care when lifting. Product should be assembled as near as possible to the point of use
3. Ensure that you have all required contents for complete assembly
4. Always read the assembly instructions carefully before beginning assembly.
5. Keep all hardware parts and packaging out of reach of small children.
6. Do not over tighten the screws and bolts as this may damage the threads




	
ALLOW 15 MINUTES	PEOPLE REQUIRED
ADDITIONAL TOOLS REQUIRED	

**WARNING**  
DO NOT STUB YOUR TOES ONCE CONNECTION  
CLIP IS POKING OUT FROM BOTTOM OF THE  
SOFA.

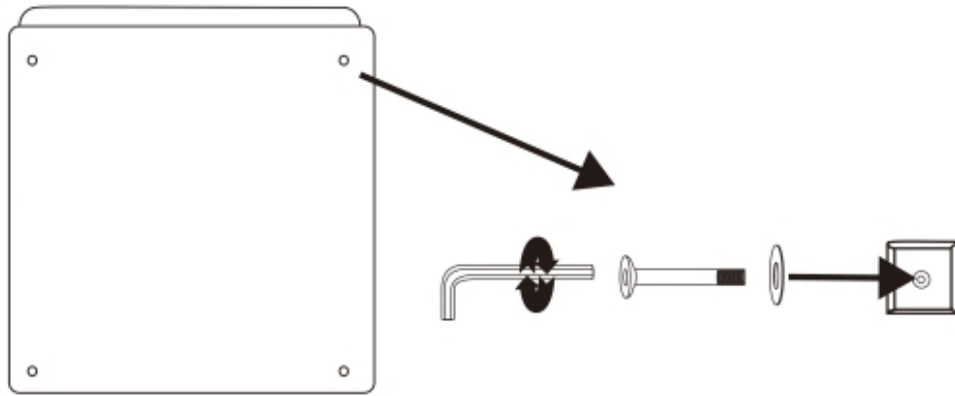
# PARTS LIST



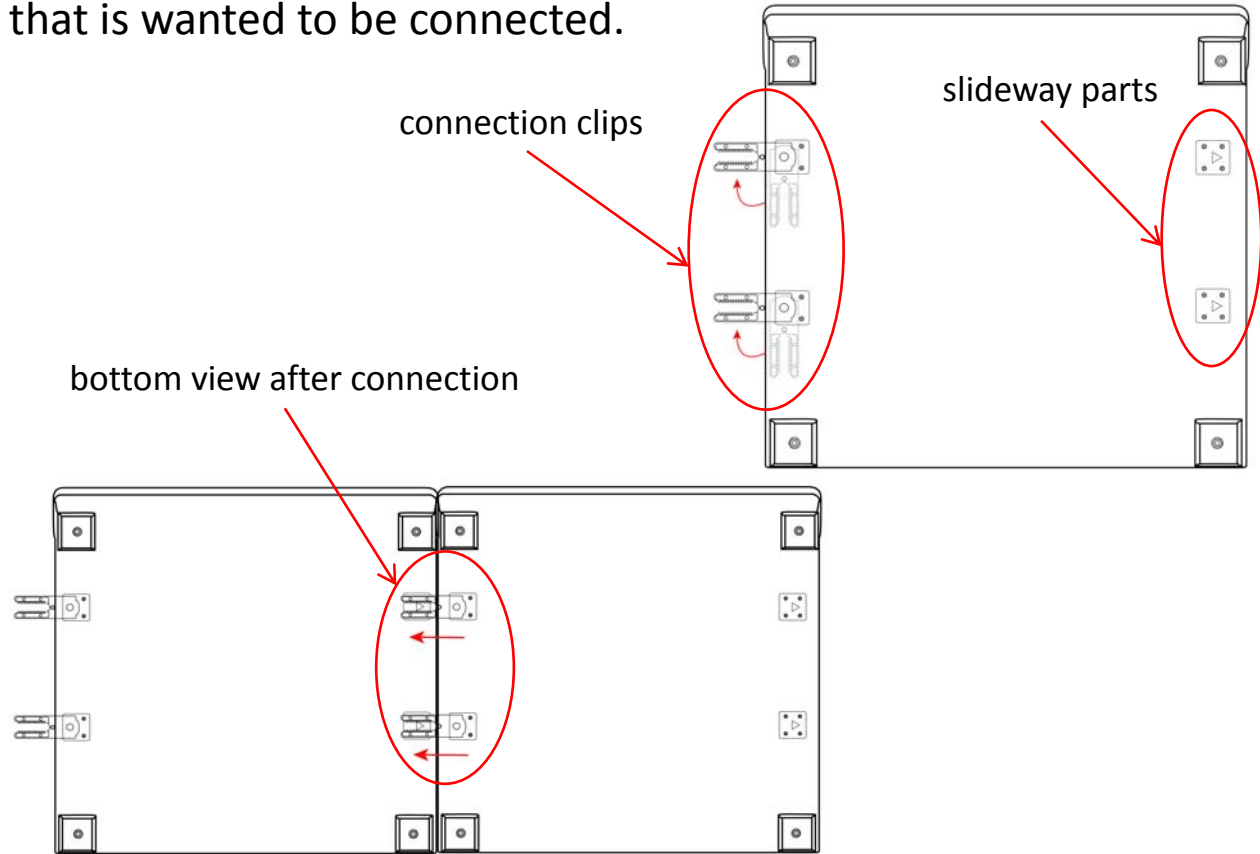
1	FEET
---	------

<p>a. Bolt M8X60</p>  <p>4pcs</p>	<p>b. Washer</p>  <p>4pcs</p>	<p>c. Allen Key</p>  <p>1pcs</p>
--	--	--

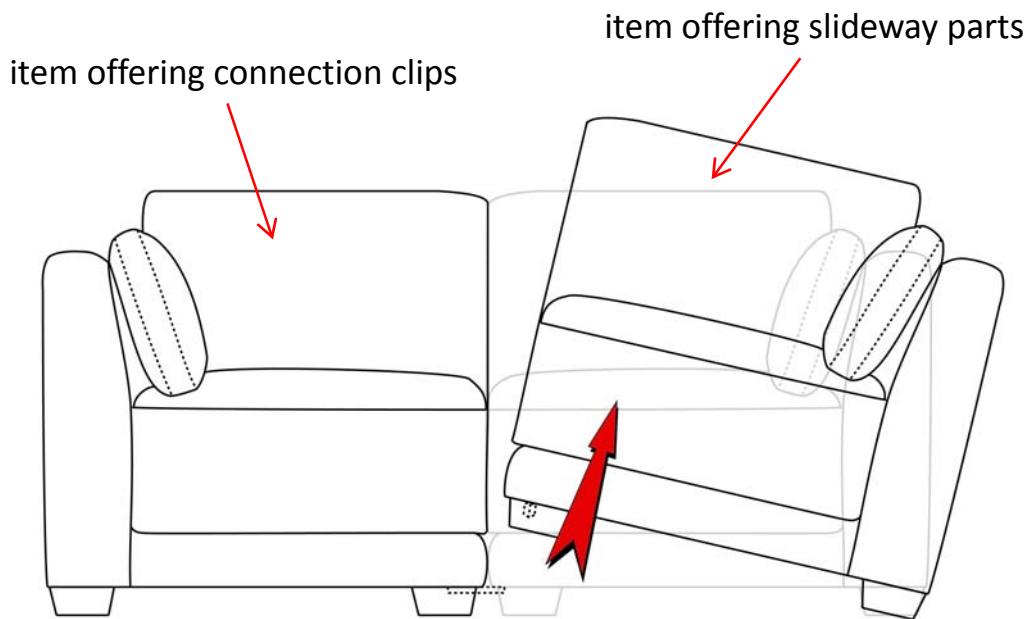
STEP 1: Tighten the feet① to the bottom of armless chair with bolts(a) and washers(b) by Allen Key(c)



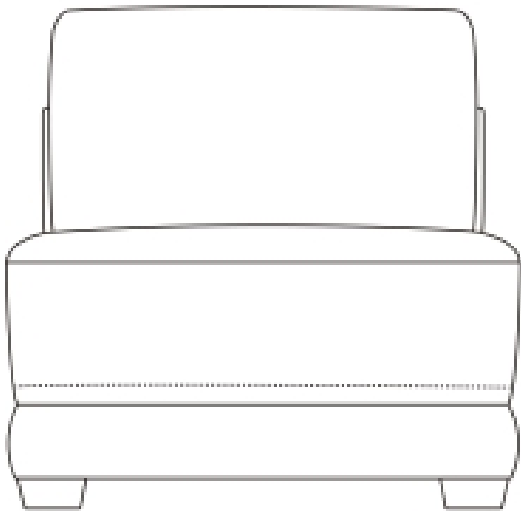
STEP 2: Unfold connection clips to poke out from bottom of the item and then place in slideway parts at bottom of another item that is wanted to be connected.



**STEP 3: Lift item offering slidaway parts for connection to separate items.**



**ASSEMBLY IS COMPLETE**



## CARE AND MAINTENANCE

### FABRIC CARE

REGULAR CARE: PROTECT FROM DIRECT SUNLIGHT.  
VACUUM REGULARLY USING LOW SUCTION.  
ROTATE REVERSIBLE CUSHIONS REGULARLY.

#### CLEANING:

DO NOT REMOVE CUSHION COVERS FOR SEPARATE  
CLEANING EVEN THOUGH THEY HAVE ZIPPERS.  
DO NOT WASH  
DO NOT DRY CLEAN  
DO NOT SHAMPOO CLEAN  
CLEAN WITH HOT-WATER EXTRACTION MACHINE.  
(HOT) PROFESSIONAL CLEANING RECOMMENDED  
DO NOT USE DISHWASHING OR LAUNDRY  
DETERGENTS  
USE ONLY UPHOLSTERY DETERGENTS  
DO NOT WET FILLING  
DRY IN SHADE AWAY FROM DIRECT HEAT AND  
SUNLIGHT  
ALLOW TO DRY THOROUGHLY BEFORE RE-USE

#### SPOT CLEANING:

DO NOT RUB  
DO NOT SPOT CLEAN WITH ANY SOLVENT.  
TREAT SPILLS AND STAINS AS SOON AS POSSIBLE.  
GENTLY SCRAPE ANY SOIL OR MOP ANY LIQUID  
FROM THE SURFACE OF THE FABRIC.  
APPLY PROPRIETARY CLEANING AGENTS STRICTLY  
ACCORDING TO INSTRUCTIONS TO REMOVE THE  
RESIDUE OF THE SPILL.  
DO NOT SATURATE THE FABRIC OR INTERIOR WITH  
WATER OR OTHER CLEANING LIQUIDS.

WARNING: APPLY ONLY WATER-BASED SOIL RESIST  
(FABRIC PROTECTION) TREATMENTS. DO NOT USE  
AEROSOL PRODUCTS.